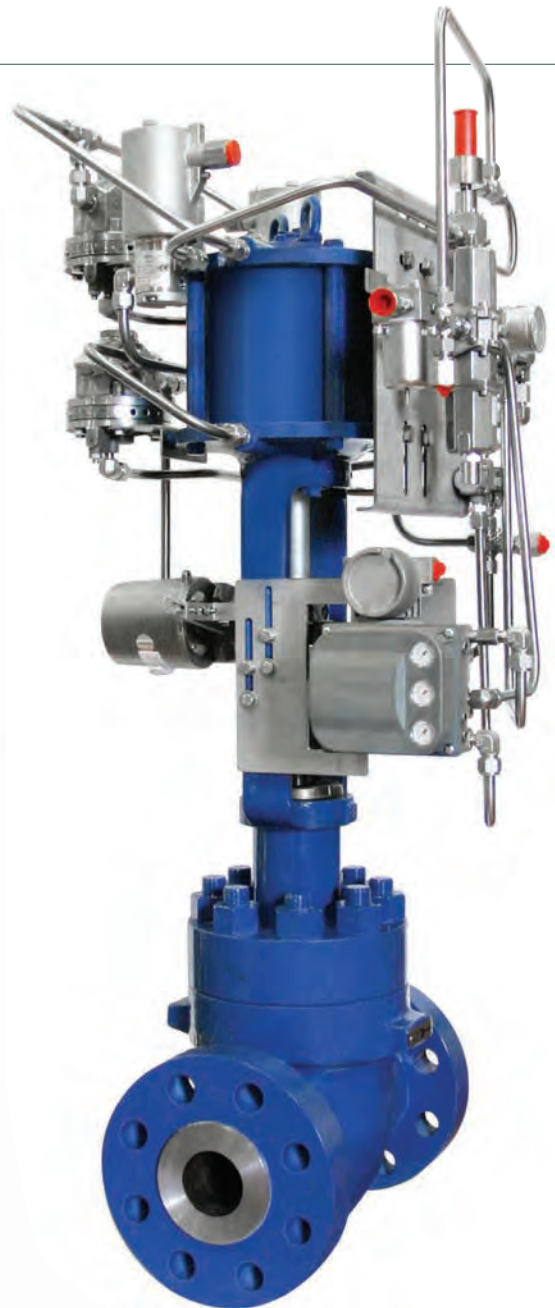


PRODUCT SERIES
1200 & 7200

kentintrol

GLOBE/ANGLE CAGE-GUIDED CONTROL VALVES



KOSO

KOSO KENT INTROL SUPPLIES A DIVERSE RANGE OF PRECISION -MANUFACTURED CONTROL, CHOKE, AND ROTARY VALVES FOR OIL AND GAS, PETROCHEMICAL AND POWER INDUSTRIES - WORLDWIDE



TABLE OF CONTENTS

- TRIM OPTIONS	04
- LIQUID SERVICE TRIM SELECTION	05
- VECTOR SEVERE SERVICE TRIMS	09
- SELECTION GUIDELINES	10

PRODUCT RANGE

-----TOP & BOTTOM-GUIDED CONTROL VALVES

Our range of high-performance top and bottom-guided control valves includes single and double-seated valves suitable for low and high-capacity applications, as well as three-way valves for mixing or splitting flows. Our control valves are designed to facilitate pressure drops at all stages of transportation in the oil, gas and power industries. All valves are refined by our engineers to suit the needs of each application and all service conditions.

CAGE-GUIDED CONTROL VALVES

The Series 1200/7200 range of cage-guided control valves is KKI's core product. The exceptional valves in this range combine high-integrity features, such as ASME VIII body/bonnet bolting design, a high flow capacity and a wide range of trim designs, from low-noise anti-cavitation to multi-stage trims. These valves are ideally suited to the critical service process control requirements of a wide range of industry applications.

SURFACE CHOKE VALVES

The KKI Series 73 surface choke valve offers a unique solution for the majority of choke applications in the oil and gas industry. The flexible valve design can incorporate many different trim and body material options to suit differing flow rates and in-service conditions. Thousands of KKI Series 73 surface chokes are installed around the world on projects for some of the world's leading oil and gas production companies.

ROTARY CONTROL VALVES

The Rotrol range of high-capacity butterfly valves has been developed to overcome the problems associated with control, cavitation and noise in conventional butterfly valve designs. Lighter in weight and more compact than globe valve alternatives, this innovative valve performs especially well in severe-service applications, where pressure drops tend to be high in the controlling position but where high-capacity throughputs at low pressure drops are also required.

SEVERE SERVICE SOLUTIONS

For more than 45 years, KKI has built up a reputation for delivering valve solutions for the most arduous service conditions. We have developed a range of advanced, high-quality severe service valve solutions for every type of problematic application, from high-pressure, high-temperature environments to sub-zero temperatures. Our valves are designed to combat the effects of cavitation, flashing, erosion, contaminated fluids, corrosion, high velocity, vibration, noise and energy dissipation.

INSTRUMENTS

KKI offers a wide selection of sophisticated instrumentation to support our comprehensive range of high-performance valves and actuators. The instruments we supply include pneumatic and electro-magnetic positioners, airsets, volume boosters and airlocks. All instruments are specified to deliver optimum performance for the service conditions and specific needs of each application. We also supply proprietary instruments to suit individual customer preferences.

ACTUATORS

Our range of robust, versatile and reliable pneumatic actuators includes the 'G', 'C' and 'D' Series models. These have been developed to meet the needs of all control valve applications, offering proven design and high reliability. They are used extensively for on-shore, offshore and power installations. In addition, we supply various proprietary actuators – such as electric, electro-hydraulic, pneumatic stepping and hydraulic stepping actuators – to meet customer requirements. All actuators can be supplied with hand-wheels and limit stop features.

TOP & BOTTOM-GUIDED CONTROL VALVES

SINGLE SEATED SERIES 10/71



DOUBLE SEATED SERIES 20



3-WAY MIXING AND DIVERTING SERIES 30



CAGE-GUIDED CONTROL VALVES

SERIES 1200/7200



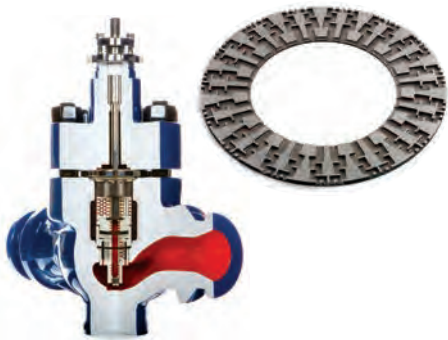
SERIES 73



SERIES 60



SEVERE SERVICE SOLUTIONS



INSTRUMENTS



ACTUATORS

SERIES G



SERIES C



SERIES D



CAGE-GUIDED VALVES

Kent Introl's Series 1200/7200 range of control valves have long been established in the oil and gas, power and petrochemical market. This is KKI's main globe/angle product suitable for operation over a wide range of applications and operating conditions.

This range of valves combines high-integrity features, such as ASME VIII body/bonnet bolting design, a high flow capacity and a wide range of trim designs. This means it is ideally suited to meet the various critical service process control requirements that are demanded by a wide range of industry-related applications.

The Series 7200 is the angle version of the Series 1200, incorporating identical trim and options.

PERFORMANCE:

- Noise, cavitation control and erosion resistant trims.
- Streamlined flow passages to optimise capacity.
- Stable flow control with high rangeability.

DESIGN FLEXIBILITY:

- Modular construction design available with a range of different end connections and styles.
- Large variation of trim designs from single stage drilled cage to multiple stage low noise/anti-cavitation trim designs.
- Wide range of supplementary noise control components, silencers, dynamic attenuators.
- Inherently characterised trim offered in equal percentage, modified Eq%, linear and quick open.
- Balanced or unbalanced plug designs.
- All trim components removable from the top for ease of maintenance and quick replacement.
- Clamped in guide for ease of service.
- Large range of CVs per body size allowing for large changes in process conditions.

DESIGN INTEGRITY:

- High-integrity body/bonnet bolting system designed to ASME VIII.
- Clamped cage for positive guiding on severe service applications.
- High-integrity plug guiding system.
- Low emission packings i.e. (ISO 15878).

QUALITY-ASSURED MANUFACTURING:

- Rigorously tested to ensure specified performance on site.
- Quality-assurance systems in accordance with ISO 9001.
- Optional full ISO 15156/NACE MR-01-75 certification.



SCOPE OF DESIGN

VALVE BODY/END CONNECTION SIZES

- 1" to 36" (25mm to 900mm) nominal bore.

VALVE BODY RATINGS

- ANSI 150 to ANSI 4500 (PN10 to PN640).
- API ratings can also be supplied.

DESIGN STANDARDS

- ASME B16.34.
- ASME VIII.
- ASME FCI 70-2 control valve seat.

LEAKAGE

- ASME B16.25 – butt weld end valves
- ASME B16.5 – pipe flanges and flange fittings
- NACE MR-01-75/ ISO 15156
- Designs fully PED certified.

TRIM DESIGNS

There are a large range of trim designs to cover the wide range of applications encountered in the served industries. The standard design is a low noise/anti-cavitation trim referred to as an HF (High Friction) trim. This is complemented by several multi-stage designs with up to nine stages (20 turns) of let down. These are described in detail within this bulletin. A labyrinth trim design, Vector, can also be designed and fitted into the S1200/S7200 body.

PLUG DESIGNS

- Balanced.
- Solid.
- Pilot balanced.

BODY MATERIALS

The Series 1200 range can be supplied in the majority of castable alloys as required by the service. All materials used are fully PED certified. Standard materials include:

- Carbon steel – WCB/LCB/LCC.
- Stainless steel – CF8M, CF3M etc.
- Chrome moly – WC6, WC9.
- Duplex st. st – A995 Gr 4A/5A/6A, A351-CK- 3MCUN etc.
- High alloys – Monel, Hastelloy B/C, Alloy 625, Alloy 825.
- Aluminium bronze.
- Titanium.

Offset globe/angle valves are also available in forged and HIPed materials.

TRIM MATERIALS

All materials compatible with the above body materials are given later in this document. Stellite overlays and tungsten carbide inserts will be specified for high pressure drop and low/high temperature applications, or where there are significant levels of contamination.

BONNET OPTIONS

- Standard/normalising/cryogenic.
- Bolted/clamped/pressure seal.

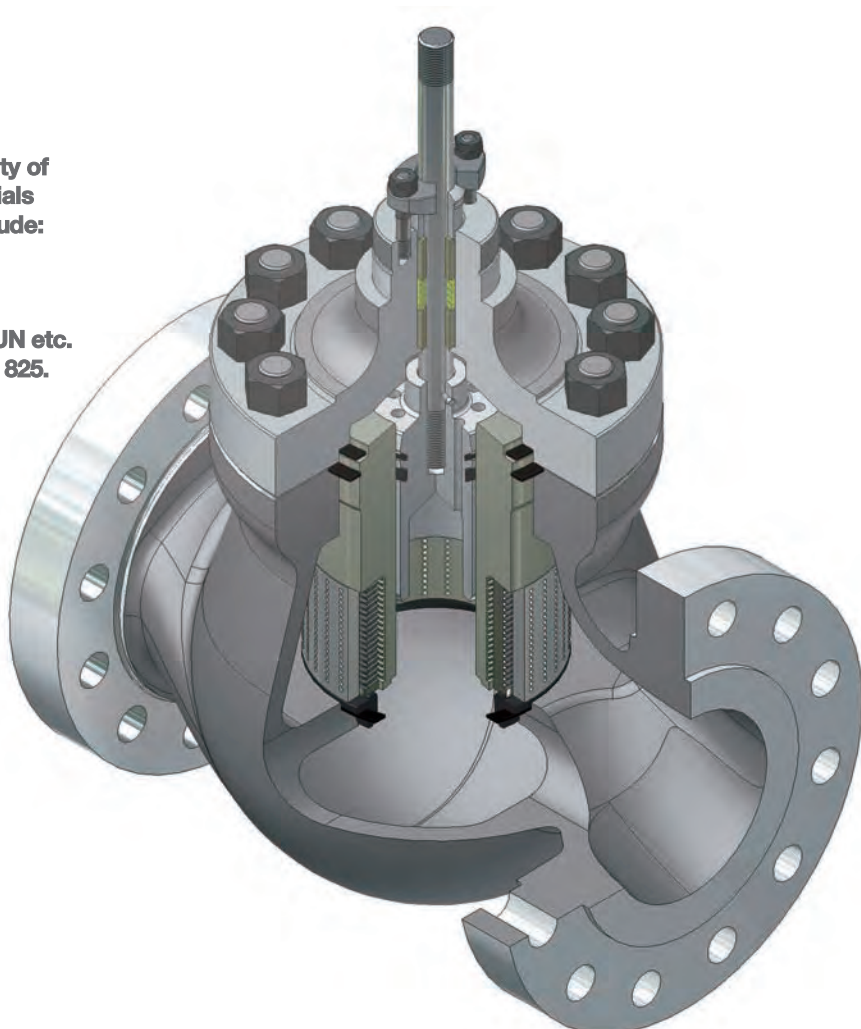
ACTUATION

The standard actuation offered is a spring return diaphragm actuator. For more arduous duties, where high operating forces are encountered, piston spring return and double-acting would be specified.

In addition, most other third-party actuators can be fitted, i.e. electric, electro-hydraulic, etc.

- 'G' Series spring-opposed pneumatic diaphragm.
- 'C' Series spring-opposed pneumatic piston.
- 'D' Series double-acting piston.
- Most third-party actuators.

FIGURE 1. SERIES 1200 FITTED WITH THREE-STAGE (FIVE TURN) TRIM



TRIM OPTIONS

GENERAL DESCRIPTION

Figure 2 shows the general features of the S1200 fitted with HF trim design. The cage is clamped between the body bridge and the bolted bonnet, and the primary seal is either a spiral wound gasket or a metallic seal (ANSI 2500 to ANSI 4500). The guide (cage) is located within the valve body by its upper and lower sections to give the best possible support and to ensure concentricity between the body/bonnet and trim components. The lower part of the cage is drilled with a number of radial holes, over the length of the plug travel. In Figure 2, the plug is shown in its fully open position. The flow is controlled by the plug moving up or down within the cage covering and uncovering holes to vary the flow area and consequently the flow through the valve. The plug is designed to be guided within the cage, therefore clearances between the cage and plug are critical. In order to ensure there is no galling (pick-up) between the plug and cage, the cage is either hard chrome plated or the plug/cage stellite. Stellite running on stellite has excellent galling resistance. On high temperature/power applications, hardened materials 420 st. st. and 17/4 PH st. st. are utilised. Again these materials have excellent galling resistance.

On high duty applications the plug/cage clearance will be designed around the specified design temperature, and a guide/damping strip may be included to give enhanced stability.

One of the common features of the various trims in a Series 1200/7200 valve is the use of a balanced plug design. This significantly reduces the resultant unbalanced forces acting on the valve plug. This is achieved by allowing the same process pressure (either the inlet pressure when the flow is 'under' the plug or the outlet pressure when the flow is 'over' the plug) to act equally above and below the plug. The holes shown on the top of the plug pass through into the lower section of the plug, enabling the pressure above and below the plug to equalise. The net effect is that unbalanced force in the open position is equal to only the stem area multiplied by the pressure. In order to ensure that this is not a leak path when the valve is in the closed position, the plug is fitted with a plug seal, preventing axial flow between the plug and cage.

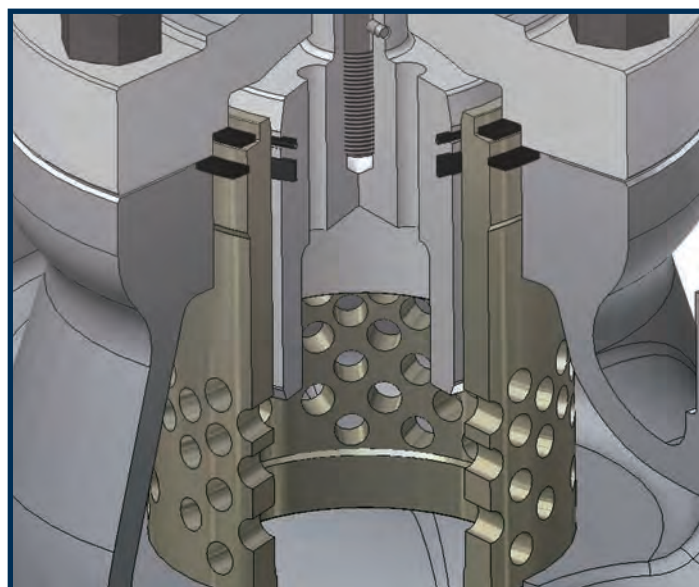
HF - HIGH FRICTION TRIM

First introduced in 1969, the HF (High Friction) trim is suitable for the majority of process control applications. It is a low pressure recovery design which gives both advantageous cavitation reduction and noise reduction when compared with standard profiled trim designs. The flow can be directed either 'under' the plug (the flow passes through the seat into the inside of the cage and then through the radial holes to outside the cage), or 'over' the plug (the flow passes from the outside of the cage, through the radial holes, to the inside of the cage and then down through the seat into the valve outlet).

The flow direction varies depending on the process fluid. For liquid, flows 'over' the plug are preferred. In this case the flow is split into many radial jets and as the flow passes through the cage the jets impinge upon themselves within the confines of the cage. This is where most of the flow energy is dissipated, and the erosional forces will be at their highest. The flow then exits the trim through the valve seat. This means the valve body is protected from the effects of flow erosion. A trim manufactured from harder materials is more capable of handling these erosional forces. On the more severe applications, high pressure drop, contaminated fluids etc, the trim's operational life can be maintained by using overlays such as stellite or tungsten carbide inserts.

On gas/vapour services, the preferred flow direction is 'under' the plug. The main reason for this is that it has been shown that the acoustic efficiency is lower in this direction. This reduction is attributed to the smaller scale turbulence structure and higher frequency of the flow turbulence resulting in a greater level of attenuation from the downstream pipework, which results in a lower transmitted noise on HF designs. On the HF family of trims, noise reduction of between 15 to 20dBA can be achieved over a conventional contoured/ported trim. In cases where further noise reduction is required, smaller holes, i.e. 3mm/4mm can be utilised in the cage. This can result in further attenuation between 3 to 10dBA.

FIGURE 2. SERIES 1200 HF TRIM DESIGN



LIQUID SERVICE TRIM SELECTION

FOR FLASHING SERVICE/CONTAMINATED SERVICE

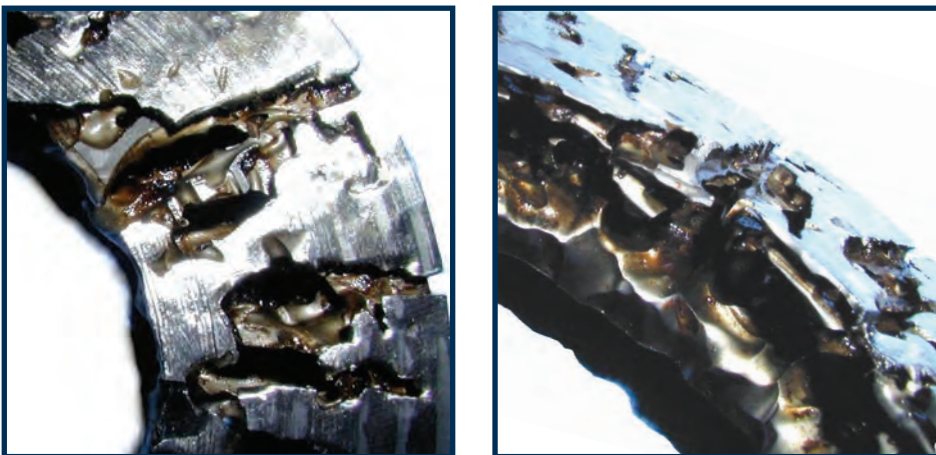
Over 30 years of supplying valves into the oil and gas retrieval industry have resulted in KKI gaining a great depth of knowledge in providing solutions for arduous service applications.

There is no hard and fast rule for identifying a severe service application. However, we may assume the following as potentially severe liquid services:

- Pressure drop $>50\text{bar}$ (700psi).
- Flashing services $P_2 - P_v >30\text{bar}$ (435psi).
- Multi-phase $P_1 - P_2 >30\text{bar}$.
- Contaminated service.

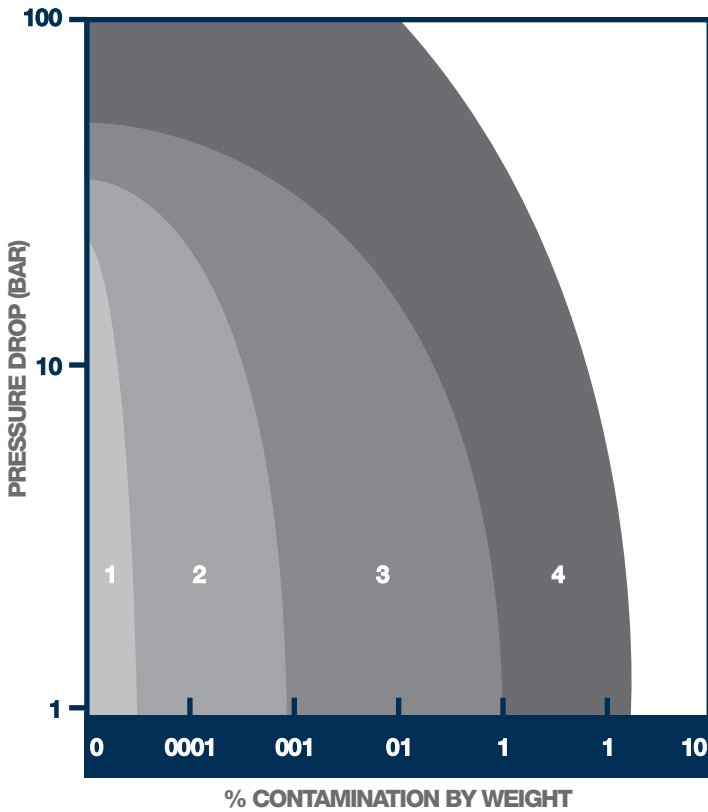
KKI has supplied many valves on these types of application and from experience identified that on flashing, multi-phase and contaminated services there can be detrimental performance if multi-stage trim designs are mis-specified. The photographs in Figure 3 give evidence of the erosion damage that can occur in supplying multi-stage trim designs on flashing and/or contaminated services.

FIGURE 3. MULTI-STAGE TRIM – EROSION DAMAGE



The reason for the accelerated wear in these cases is attributed to high inter-stage flow velocities. This will occur on flashing service or multi-phase flows as soon as the pressure is reduced below the fluid vapour pressure or entrained gas is released. This results in a significant increase in the specific volume of the fluid leading to much higher flow velocities and greater erosional forces. In recognising this problem, KKI has been able to solve many erosion problems by changing out labyrinth type/multi-stage trims to a single stage of pressure let down incorporating tungsten carbide inserts. The success of this approach resulted in the launch of the choke valve product range during the 1980s, a product that has gained an excellent reputation.

FIGURE 4. SELECTION OF TRIM ON CONTAMINATED SERVICES



- 1 Base material
- 2 Base material + stellite face
- 3 Base material + full face
- 4 Tungsten carbide or ceramic

Figure 4 gives an indication of the trim material overlay/insert requirements based on the operating pressure drop and the level of contamination. Other factors that will influence the correct material selection are flashing or the level of entrained gas that will come out of solution as the process pressure reduces.

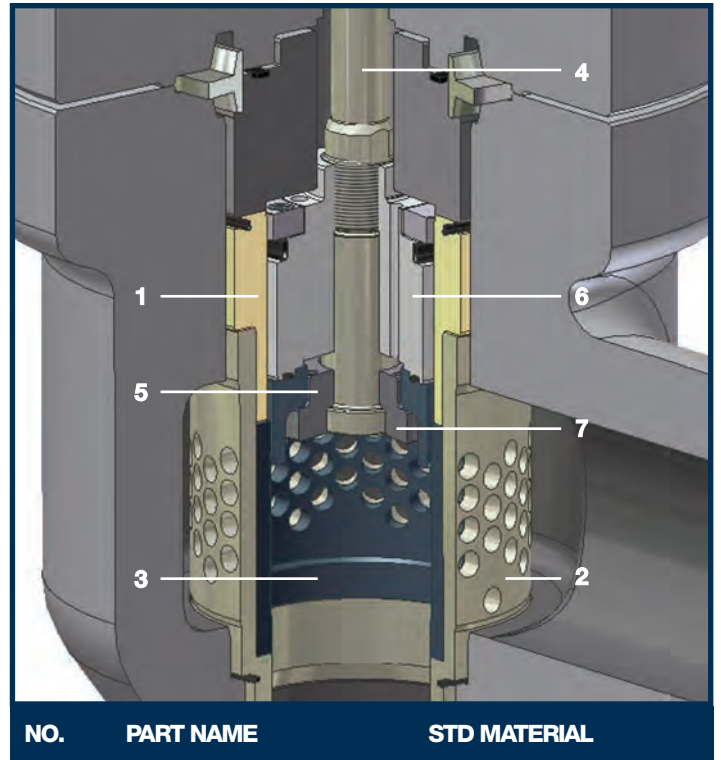
TUNGSTEN CARBIDE TRIM DESIGN

Figure 5 illustrates a carbide trim design. This has been developed over many years with essential design criteria, interferences etc, critical to the correct operation of the valve. There are also various grades of tungsten carbide which are selected around the specific design and depend on the process fluid being controlled.

The carbide cage is retained within a metallic cartridge ('brickstopper') protecting it against impact from large debris. Figure 5 illustrates a standard control valve seat design.

However, KKI also uses a patented seating design on contaminated services. This design is known as an LCV trim, the name taken from the application it was first used on. The LCV design keeps the throttling components away from the high-velocity erosive zones by directing the flow to specific sacrificial energy-dissipating elements. The trim can be provided with or without a sacrificial plug nose.

FIGURE 5. TRIM INCORPORATING SOLID TUNGSTEN CARBIDE INSERT



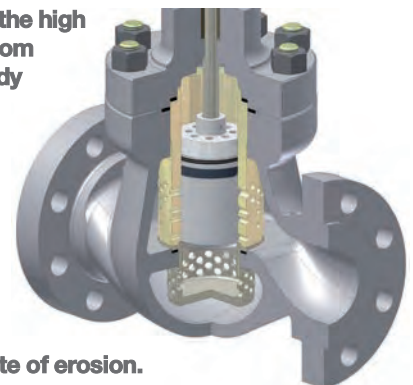
NO.	PART NAME	STD MATERIAL
1	Upper guide	17/4 Ph st. st
2	Lower guide	17/4 Ph st. st
3	Lower guide carbide insert incorporating seat	Tungsten carbide
4	Plug stem	17/4 Ph st. st
5	Carbide plug head	Tungsten carbide
6	Upper plug retainer	17/4 Ph st. st
7	Lower plug retainer	17/4 Ph st. st

SEAT EXIT DIFFUSER

It is recommended practice to specify angle valve design on high-pressure drop flashing/contaminated services. However, if the installation requires a globe design then KKI recommends the use of a seat exit diffuser.

The diffuser is used to prevent the high velocity fluid exiting the trim from impinging directly onto the body wall. The diffuser handles the initial impact of the process fluid and then breaks the fluid flow into small jets directed towards the valve outlet.

The diffuser is normally manufactured from hardened materials or stellite overlaid stainless steel to reduce the rate of erosion.



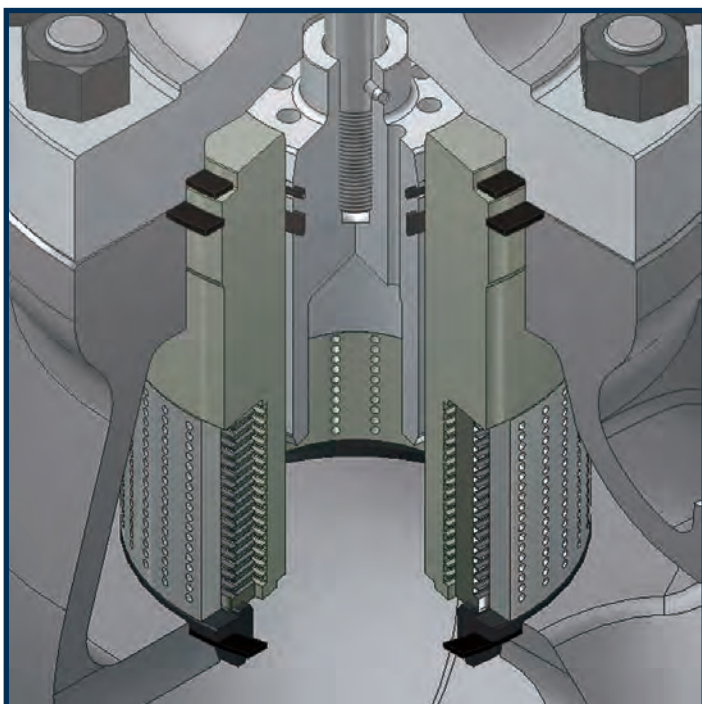
MULTI-STAGE GUIDES, HFD, HFT & HFL

The multi-stage guides, HFD (High Friction Double), HFT (High Friction Triple) are a design enhancement on the standard HF trim. They are used in applications where noise or cavitation would otherwise be a problem. If not properly controlled, high pressure drop liquid applications can severely damage the valve. Figure 6 shows a cage that has suffered from severe cavitation damage. It should be noted that this mechanism can occur on relatively low pressure drops with the more conventional trims, for example contoured, ported trim designs.

In order to avoid the destructive effects of cavitation, it is necessary to apportion the pressure drop across a number of stages of let down. There are two different families of trims that can be applied to this problem, as well as the Series 50/57 specialist anti-cavitation trim design and Vector (labyrinth). The HFD (two stages) and HFT (three stages) apportion the pressure drop equally across either two or three stages of let down. The stages are in the form of concentric sleeves, drilled with radial holes within a number of grooves that form distinct flow galleries. These will be specified on the less severe applications.

The HFL design, illustrated in Figure 7, also incorporates a number of concentric sleeves (two or more). Each sleeve has a multitude of grooves incorporating radial holes. The grooves in each sleeve line up to create a torturous radial flow path (see Figure 9). The trim uses the principle of controlled trim exit velocity. The holes within the sleeves are completely misaligned to produce a tortuous path through the trim. Energy is dissipated within the cage by the combined effect of flow splitting, flow impingement, and turning of the flow as it passes through the sleeves. There is a large increase in flow area between the stages of let down resulting in a reduction in pressure drop as the flow passes from one stage to the next.

FIGURE 7. HFL-3 TRIM DESIGN



This significantly reduces the likelihood of cavitation, because the final stage of let down has a relatively small pressure drop and, with its low recovery characteristic, this minimises the potential for cavitation. Figure 8 represents the difference between a single stage high-recovery trim, and a three-stage trim with equal stage pressure drop, e.g. the HFL3 design.

FIGURE 6. CAVITATION DAMAGE



FIGURE 8. STAGE PRESSURE DROP

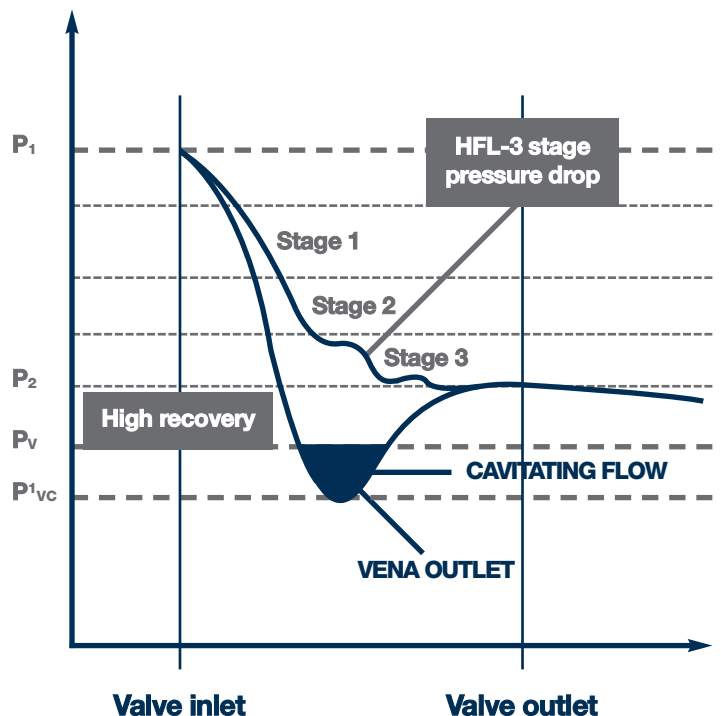
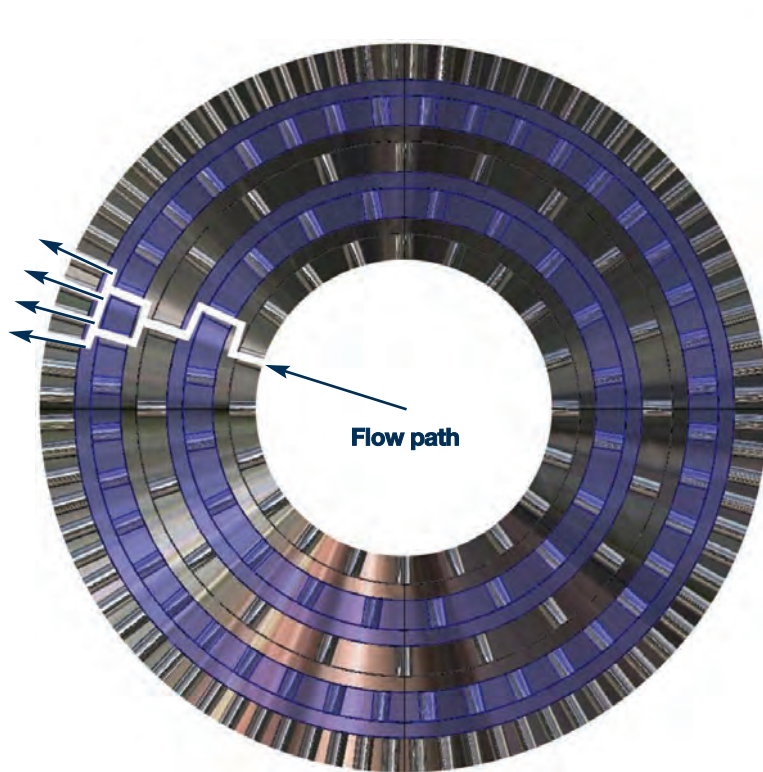


FIGURE 9. FLOW PATH THROUGH A LOW NOISE TRIM (HFL)



Concentric sleeves fit over each other to produce a 'tortuous' path with no line of site and pressure drop control through 100% of travel.

GAS SERVICE TRIM SELECTION

The major factors to be considered in the selection of a valve trim on a gas/vapour service are aerodynamic noise generation, vibration, and high fluid velocities. Each of these are interrelated in that high velocities can lead to vibration and resultant noise, and will also generate aerodynamic noise. It is therefore necessary to control the fluid velocity through the stages of let down in the trim and also in the valve outlet and downstream pipework. Poor installation of pipework, such as bends immediately before and/or after the valve can also be a major factor in the valve functioning correctly.

KKI undertook an extensive research programme during the 1980s into aerodynamic noise generation within control valves. This resulted in the successful introduction of low-noise trim designs referred to as HFQ1 and HFQ2. These complemented the already proven HFD and HFT trim designs that had been previously used for low-noise applications. The trims work in a similar principle to the liquid service designs, in that they split the flow up into a large number of radial jets, see Figure 9. The preferred flow direction is 'under' the plug, this enables the optimum flow area increase as the flow passes through each stage of the trim. The result is a very low trim exit velocity and very high levels of noise attenuation.

The flow geometry means that the process fluid enters the cage radially and passes through the subsequent sleeves in a tortuous path resulting in high frictional and impingement losses. Shock wave formation is controlled by jet impingement onto the sleeves, which has been shown to have a major (advantageous) bearing on the noise generation process. The HFL trim as discussed on the previous page and depicted above incorporates the highest level of attenuation, and is specified on the most arduous duties

SILENCERS

In solving the aerodynamic noise generation problem it must also be recognised that there is a need to control downstream velocities, otherwise high pipeline velocities can produce secondary noise which could be significantly higher than that produced by the valve trim. It is generally accepted that to achieve a low-noise solution, the downstream velocity should be restricted to less than 0.3 times the fluid sonic velocity. This coincides with the velocity at which compressibility effects start to become noticeable. In order to address this problem, KKI utilises downstream silencers in the form of a taper pipe fitted with a number of baffle plates (circular plates with a number of drilled holes). These are used to produce a back-pressure to the valve and are selected so that the velocity from the trim exit to the valve outlet is less than 0.3 times sonic velocity (0.3 Mach). In selecting these devices it is necessary to ensure that the trim and silencer system operate effectively over the full range of operating conditions. This approach has effectively been used by KKI for more than 30 years. A large number of these units are installed in the oil and gas and power sectors.

VARIABLE STAGE GUIDE

The variable stage guide is used on applications where multiple stages of pressure let down are required, but a high trim capacity is desirable. The trim is therefore constructed with multiple stages of pressure let down at lower travels, but typically is a single stage trim at higher travels. This design is suitable for controlling high pressure drops at low flow rates and a reduced pressure drop at normal or maximum flow rate. The number of stages of pressure let down and the actual transition between the multiple and single guides is dependent on the process conditions, so each variable stage guide tends to be designed specifically for the application.

VECTOR™ SEVERE SERVICE TRIMS

KKI is now in the position to supply the KOSO Vector trims. These trims extend the capability of KKI to offer trim designs for the most severe operating conditions now found in the various industries we serve. KKI is in the enviable position of being able to supply the most appropriate design for the specified application whether high pressure drop cavitating, high pressure drop flashing or high pressure drop gas applications. This proven trim design delivers accurate control, and long life, free from cavitation, erosion, vibration and noise problems.

The design has evolved through many decades of experience in solving severe service applications where durability, reliability, repeatability and control precision are required. The advanced design velocity control trim prevents generation of noise and/or cavitation at the source. The typical applications for which the KOSO Vector trim has been applied also include compressor recycle and turbine by-pass. KOSO Vector trim limits harmful flow velocities by separating the flow into smaller individual channels, and staging the full pressure drop across multiple turns in the fluid path. This is the basic principle of the HFL trim designs, however, on the Vector designs the allowed pressure drops are significantly lower, leading to much lower velocities that are well within any threshold for erosion for the majority of trim materials.

As well as the Vector D trim shown in Figure 10. KOSO has also developed Vector M trim, shown in Figure 11. This gives a smooth and continuous increasing flow along the entire stroke length. This eliminates the inherent stepped flow that occurs in most stacked disc designs, see Figure 12.

FIGURE 10. VECTOR D TRIM DESIGN

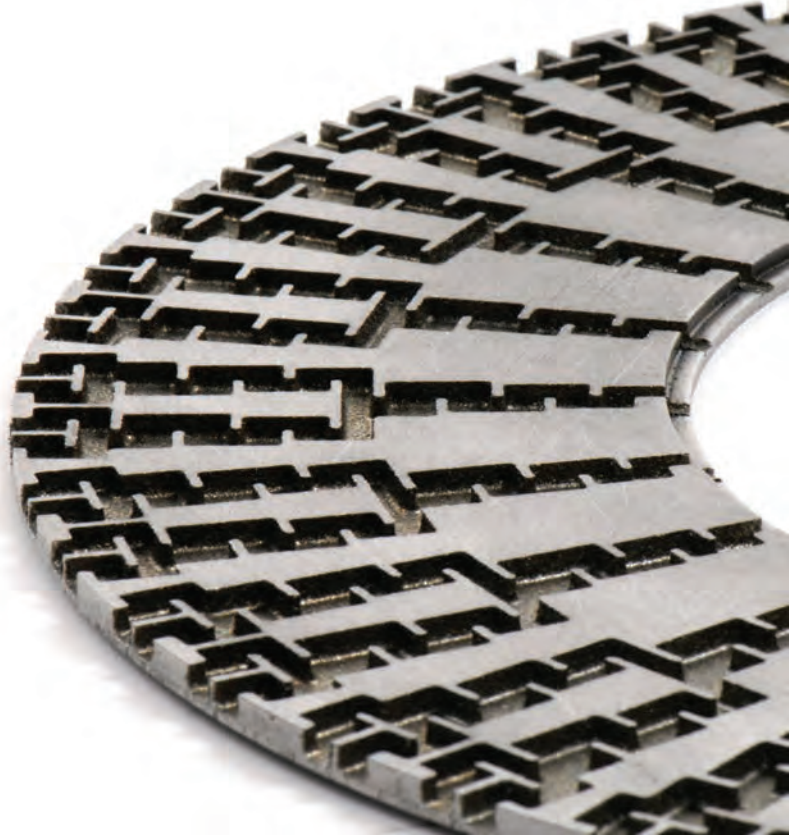


FIGURE 11. VECTOR M TRIM DESIGN

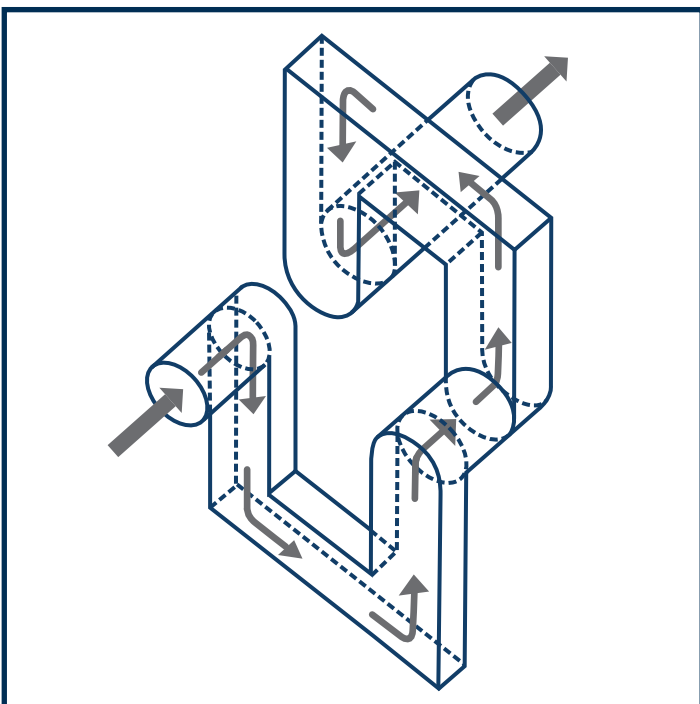
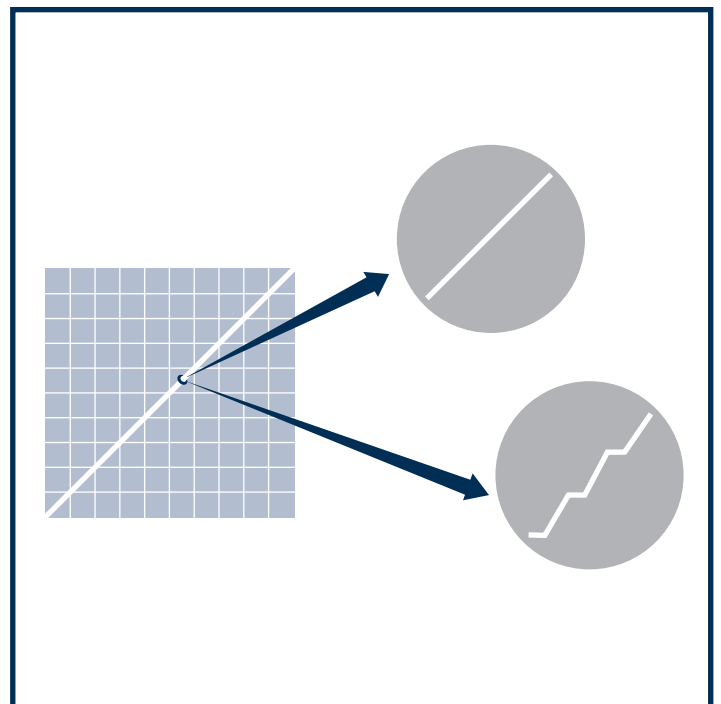


FIGURE 12. FLOW CHARACTERISTIC COMPARISON BETWEEN D AND J VECTOR



SELECTION GUIDELINES

The following tables are used during the selection process of the valve. Design Cv values are incorporated in globe/angle cage-guided valves technical data.

Flanges are specified as a nominal size, the actual bore size varies with pressure class. On higher rated flanges, the flange bore can be considerably less than the body bore area. This could lead to the flange end connection restricting the capacity of the valve. In order to ensure this does not happen, the following tables reference the end sizes available as a function of valve body size and pressure rating.

TABLE 13. FLANGED END RESTRICTIONS

VALVE BODY SIZE		AVAILABLE END CONNECTION SIZE			
in	mm	to ANSI 600	ANSI 900	ANSI 1500	ANSI 2500
1	25	1	1	1	1
1½	40	1½	1½, 2,	1½, 2, 3	2, 3
2	50	2	2, 3,	2, 3, 4	3, 4
3	80	3	3, 4,	3, 4, 6	4, 6
4	100	4	4, 6,	6, 8	6, 8
6	150	6	6, 8,	8, 10	8, 10
8	200	8	8, 10,	10, 12	12, 14
10	250	10	10, 12,	12, 14	14, 16
12	300	12	12, 14,	14, 16	18, 20
14	350	14	16, 18,	16, 18	
16	400	16	18, 20,	20, 24	
18	450	18			
20	500	20			
24	600	24			

TABLE 14. BUTT WELD END RESTRICTIONS

VALVE BODY SIZE		AVAILABLE END CONNECTION SIZE			
in	mm	to ANSI 600	ANSI 900	ANSI 1500	ANSI 2500
1	25	1	1	1	1
1½	40	1½, 2, 3	1½, 2, 3	1½, 2, 3	1½, 2, 3, 4
2	50	2, 3, 4	2, 3, 4,	2, 3, 4	2, 3, 4, 6
3	80	3, 4, 6	3, 4, 6	3, 4, 6	4, 6, 8
4	100	4, 6, 8	4, 6, 8	8, 10	6, 8, 10
6	150	6, 8, 10	6, 8, 10	8, 10, 12	8, 10, 12
8	200	8, 10, 12	8, 10, 12	10, 12, 14	12, 14, 16
10	250	10, 12, 14	10, 12, 14		
12	300	12, 14, 16	12, 14, 16		
14	350	14, 16, 18	16, 18, 20		
16	400	16, 18, 20	20, 24		

TABLE 15. BONNET/PACKAGING OPTIONS

COMPONENT	BELOW -100°C (-150°F)	-100°C TO -29°C (-148°F TO -4°F)	-29°C TO -250°C (-4°F TO 482°F)	-250°C TO -400°C (482°F TO 752°F)	ABOVE 400°C (752°F)
BONNET	CRYOGENIC	NORMALISING	STANDARD	NORMALISING	NORMALISING
PACKINGS	PTFE CHEVRON	PTFE CHEVRON	PTFE CHEVRON	GRAPHITE(**)	GRAPHITE(**)

NOTE: * Not suitable for oxidizing service. The Envirograph range of packings, Envirograph 4 to 6 area used for low emission requirements and a graphite based packing system.

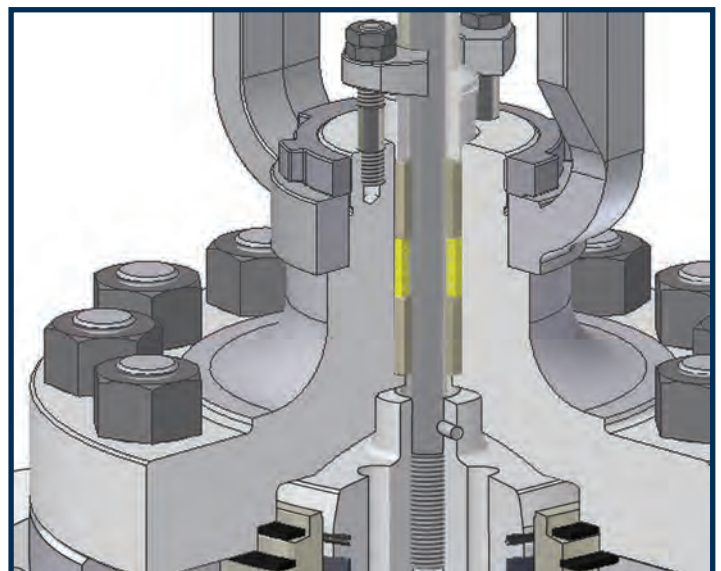
TABLE 16. PRESSURE DROP LIMITATIONS

TRIM DESIGN	FLOW DIR.	LIQUIDS MAX Δ P (BAR)	GASES/VAPOURS MAX Δ P (BAR)
HF	UNDER	10	75*
	OVER	50*	100
HFD	UNDER	20	150*
	OVER	95*	150
HFT	UNDER	30	180*
	OVER	125*	180
HF4	OVER	185	-
HF5	OVER	230	-
HFQ1	UNDER	-	150
HFQ2	UNDER	-	180
HFL – 2	UNDER	80	150
HFL – 3	UNDER	125	180
HFL – 4	UNDER	140	210
HFL – 5	UNDER	190	230

NOTE: 1. Pressure drop limits do not apply to flashing applications.
 2. These apply on the basis that cavitation has been eliminated.
 3. In cases of wet/saturated vapours then pressure drops for liquids should be applied.
 4. On liquid applications, where final stage pressure drops are greater than 50bar, angle valves are recommended.
 5. VECTOR™ velocity control labyrinth multi-turn disk stack trim is available for high pressure drop applications.
 * These are the recommended flow directions for these trims.



VECTOR™ FOR HIGH RANGEABILITY APPLICATIONS



PACKING ARRANGEMENTS

TABLE 17. STANDARD RANGEABILITY VALVES

TRIM SIZE REF - in	HF SINGLE STAGE STANDARD RANGEABILITY	MULTI-STAGE DESIGN STANDARD RANGEABILITY
1/4 TO 1/2	20: 1	15: 1
3/4 TO 1	30: 1	25: 1
1 1/2 TO 2	40: 1	35: 1
3 TO 6	50: 1	45: 1
8 TO 12	60: 1	55: 1
14 TO 24	70: 1	60: 1
ABOVE 24	80: 1	70: 1

NOTE: Rangeability is the relationship between the minimum controllable Cv and the design Cv of the trim.

TABLE 24. SERIES 1200 & 7200 GAS VAPOUR VELOCITY LIMITS

VALVE SIZE	REQ. NOISE LEVEL dBA	INLET ft/s	m/s	OUTLET ft/s	m/s	MACH NUMBER
ALL	> 95	670	204	1150	350	0.65
ALL	< 95	670	204	1150	350	0.5
1/2" TO 2"	< 85	670	204	1150	350	0.4
3" TO 24"	< 85	670	204	1150	350	0.3

NOTE: Use velocity limit as higher of linear velocity or Mach numbers.

CONTROL VALVES USED ON VENT
TO FLARE APPLICATIONS



TABLE 18. STANDARD MATERIAL COMBINATIONS

INDUSTRY SECTOR	TYPICAL DUTIES	GUIDE	PLUG	STEM	SEAT	TEMP RANGE
OIL & GAS	Standard combination/NACE	316 st. st. + hard chrome plated or 17/4 PH St.St.	316 st. st.	316 st. st. or 17-4PH st. st.	Integral with guide/ 316 st. st.	-40°C to 250°C
	Sea water/sour gas	Duplex + hard chrome plated	Duplex	Duplex	Integral with guide/ Duplex st. st.	-40°C to 250°C
	Sea water/sour gas	Super Duplex + hard chrome plated	Super Duplex	Super Duplex	Integral with guide/ Super Duplex st. st.	-40°C to 250°C
	Highly corrosive	Monel K500 hardened	Monel 400	Monel K500	Integral with guide/ Monel K 500;	-40°C to 250°C
	Highly corrosive	Hastelloy (B/C) + hard chrome plated	Hastelloy (B/C)	Hastelloy (B/C)	Integral with guide/ Hastelloy (B/C)	-40°C to 250°C
	Highly corrosive	Alloy 625 + hard chrome plated	Alloy 625	Alloy 625	Integral with guide/ alloy 625	-40°C to 250°C
	Highly corrosive	Titanium/titanium nitride	Titanium	Titanium	Integral with guide/ titanium	-40°C to 250°C
	Low temp	Hard chrome plate	Gr. 6 Stellite	-	-	-100°C to 250°C
	Cryogenic	Gr. 6 Stellite	Gr. 6 Stellite	-	-	<-100°C
	Medium temp	Hard chrome plate	Gr. 6 Stellite	-	-	250°C to 350°C
	High temp	Gr. 6 Stellite	Gr. 6 Stellite	-	-	350°C to 400°C
	Fast stroking time i.e compressor recycle > 1.75" (45mm)/sec	Gr. 6 Stellite	Gr. 6 Stellite	-	-	-
	Liquids – pressure drops 20 - 35bar (300 - 500psi)	-	Gr. 6 Stellite	-	Gr. 6 Stellite	-
	Liquids – pressure drops 35bar (500psi)	Gr. 6 Stellite	Gr. 6 Stellite	-	Gr. 6 Stellite	-
Liquids – pressure drops > 150bar (2175psi)	Tungsten carbide insert	Tungsten carbide insert	-	Tungsten carbide insert	-	
Contaminated services	Tungsten carbide insert	Tungsten carbide insert	-	Tungsten carbide insert	-	
POWER	Feedwater	420 St. St hardened	420 St.St. Rc 35-43 or 17-4PH St.St. Rc 39-41	431 st. st.	Integral with guide/ 316 St.St.+Colmonoy	<250°C
	Low temp steam	420 St. St hardened	420 St.St. Rc 35-43 or 17-4PH st. st. Rc 39-41	431 st. st.	Integral with guide/ carbon stellite +colmonoy	250°C to 427°C
	High temp	Cr/Mo gas nitrided to Rc>64	Cr/Mo fully stellite	431 st. st.	Integral with guide/ 316 st. st./ 316 st. st. + stellite	428°C to 595°C

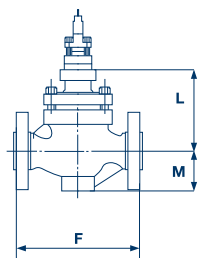
NOTE: Materials listed above are suitable for most applications. Material variations are available on request. Tungsten carbide/ceramic are available for high duty process applications.

TABLE 19. LEAKAGE CLASS OPTIONS

PLUG DESIGN	SEATING STYLE	PISTON RING	LEAKAGE CLASS	TEMPERATURE RANGE
Unbalanced	Metal/metal	None	III, IV & V	Cryogenic to 565°C
Unbalanced	Metal/soft face	None	VI	Cryogenic to 315°C
Balanced	Metal/metal	Graphite	III	250°C to 565°C
Balanced	Metal/metal	Carbon/PTFE	IV & V	Cryogenic to 265°C
Balanced	Metal/metal	Alloy 25	IV	265°C to 565°C
Pilot balanced	Metal/metal	Carbon	V	265°C to 565°C
Balanced	Metal/soft face	Carbon/PTFE	VI*	Cryogenic to 265°C

NOTE: For contaminated services a scraper will be incorporated within the plug seal. * This is a special design for valve sizes upto 10" (250mm) – the application must be reviewed by Applications before specifying.

SERIES 1200



SERIES 7200

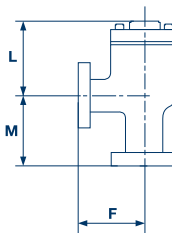


TABLE 20. SERIES 1200 & 7200 COMMON DIMENSIONS

		1/2"	1/4"	1"	1 1/2"	2"	3"	4"	6"	8"	10"	12"	14"	16"	18"	20"	24"
		15mm	20mm	25mm	40mm	50mm	80mm	100mm	150mm	200mm	250mm	300mm	350mm	400mm	450mm	500mm	600mm
ANSI 150 AND PN10 & 16	F	4 1/4 184	7 1/4 184	7 1/4 184	8 3/4 222	10 254	11 3/4 298	13 7/8 352	17 3/4 451	21 3/8 543	26 1/2 673	29 737	35 889	40 1016	45 3/8 1153	52 1/2 1334	58 1/4 1480
ANSI 300 PN 25 & 40	F	7 1/2 191	7 1/2 191	7 3/4 197	9 1/4 235	10 1/2 267	12 1/2 218	14 1/2 368	18 5/8 473	2 3/8 568	27 7/8 708	30 1/2 775	36 1/2 927	41 5/8 1057	47 1194	54 1372	60 1524
ANSI 600 PN 100	F	8 203	8 1/8 203	8 3/4 210	9 7/8 251	11 1/4 286	13 1/4 3337	15 1/2 394	20 508	24 610	29 5/8 752	32 1/4 819	38 1/4 972	43 5/8 1108	49 1/4 1251	60 1524	63 1600
TO ANSI 600	M			2 5/8 67	3 1/4 82	3 1/2 89	4 3/8 318	5 5/8 143	8 203	8 3/4 222	10 254	12 1/2 318	13 330	15 3/4 400	14 1/4 362	19 1/4 489	18 1/4 464
STANDARD BONNET SERIES 12/72 TO ANSI 600	L	5 3/4 146	5 3/4 146	5 3/4 146	8 1/8 206	7 3/8 187	9 7/8 251	11 279	13 1/8 333	15 3/4 400	17 7/8 454	20 1/2 521	24 1/2 622	28 3/8 721	28 1/8 714	35 1/2 902	34 864
NORMALISING BONNET SERIES 12/72 TO ANSI 600	L	8 3/4 222	8 3/4 222	8 3/4 222	12 1/8 308	12 3/8 314	15 1/8 384	16 5/8 422	18 7/8 479	21 3/4 552	26 7/8 683	30 1/2 775	35 3/2 908	29 7/8 1013	40 1/8 1020	42 5/8 1082	46 1/2 1180
STANDARD BONNET SERIES 12/72	L																
NORMALISING BONNET SERIES 12/72	L																
VALVE STROKE		1 1/8 28	1 1/8 28	1 1/8 28	1 1/8 28	1 1/2 38	2 1/4 57	2 1/4 57	3 1/2 89	4 102	5 127	6 152	7 178	8 203	9 229	10 254	12 305
BONNET MOUNT DIA (TO ANSI 600)	L	2 1/8 54	2 1/8 54	2 1/8 54	2 1/8 54	2 1/8 54	2 13/16 71	2 13/16 71	3 9/16 90	3 9/16 90	3 9/16 90	39/16 90	5 3/4 146	5 3/4 146	5 3/4 146	5 3/4 146	5 3/4 146
BONNET MOUNT DIA ANSI 900/1500	L	2 1/8 54	2 1/8 54	2 1/8 54	2 1/8 54	2 1/8 54	2 13/16 71	2 13/16 71	3 9/16 90	3 9/16 90	5 3/4 146	5 3/4 146	5 3/4 146	5 3/4 146	5 3/4 146	5 3/4 146	5 3/4 146
BONNET MOUNT DIA ANSI 2500	L	2 1/8 54	2 1/8 54	2 1/8 54	2 13/16 71	2 13/16 71	2 13/16 71	3 9/16 90	3 9/15 90	3 9/16 90	5 3/4 146	5 3/4 146	5 3/4 146	5 3/4 146	5 3/4 146	5 3/4 146	5 3/4 146

TABLE 21. SERIES 7200 DIMENSIONS

		1/2"	1/4"	1"	1 1/2"	2"	3"	4"	6"	8"	10"	12"	14"	16"	18"	20"	24"
		15mm	20mm	25mm	40mm	50mm	80mm	100mm	150mm	200mm	250mm	300mm	350mm	400mm	450mm	500mm	600mm
ANSI 150 AND PN10 & 16	F				4 3/8 111	5 127	5 7/8 148	6 1 5/16 352	8 7/8 225	10 11/16 271	13 1/4 337	14 1/2 368	17 1/2 889	20 508	22 11/16 576	26 1/4 667	29 1/8 740
ANSI 300 PN 25 & 40	F				4 5/8 117	5 1/4 267	6 1/4 159	7 1/4 184	9 5/16 237	11 3/16 284	13 5/16 354	15 1/4 387	18 1/4 464	20 9/16 529	23 1/2 597	27 686	30 762
ANSI 600 PN 100	F				4 5/16 125	5 5/8 163	6 5/8 168	7 3/4 197	10 254	12 305	14 5/16 376	16 1/8 410	19 1/8 486	21 13/16 5548	24 5/8 625	28 1/2 724	31 1/2 800

KOSO KENT INTROL LIMITED
ARMYTAGE ROAD
BRIGHOUSE
WEST YORKSHIRE
HD6 1QF
UK

TELEPHONE
+44 (0)1484 710311

FACSIMILE
+44 (0)1484 407407

EMAIL
info@kentintrol.com

WEBSITE
WWW.KENTINTROL.COM



KOSO

Koso Kent Introl Limited is part of the KOSO Group of companies.

The company's policy is one of continual development and the right is reserved to modify the specifications contained herein without notice.

Copyright © 2014
All rights reserved Koso Kent Introl Limited