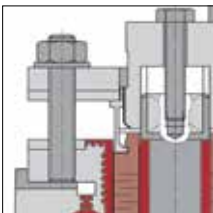
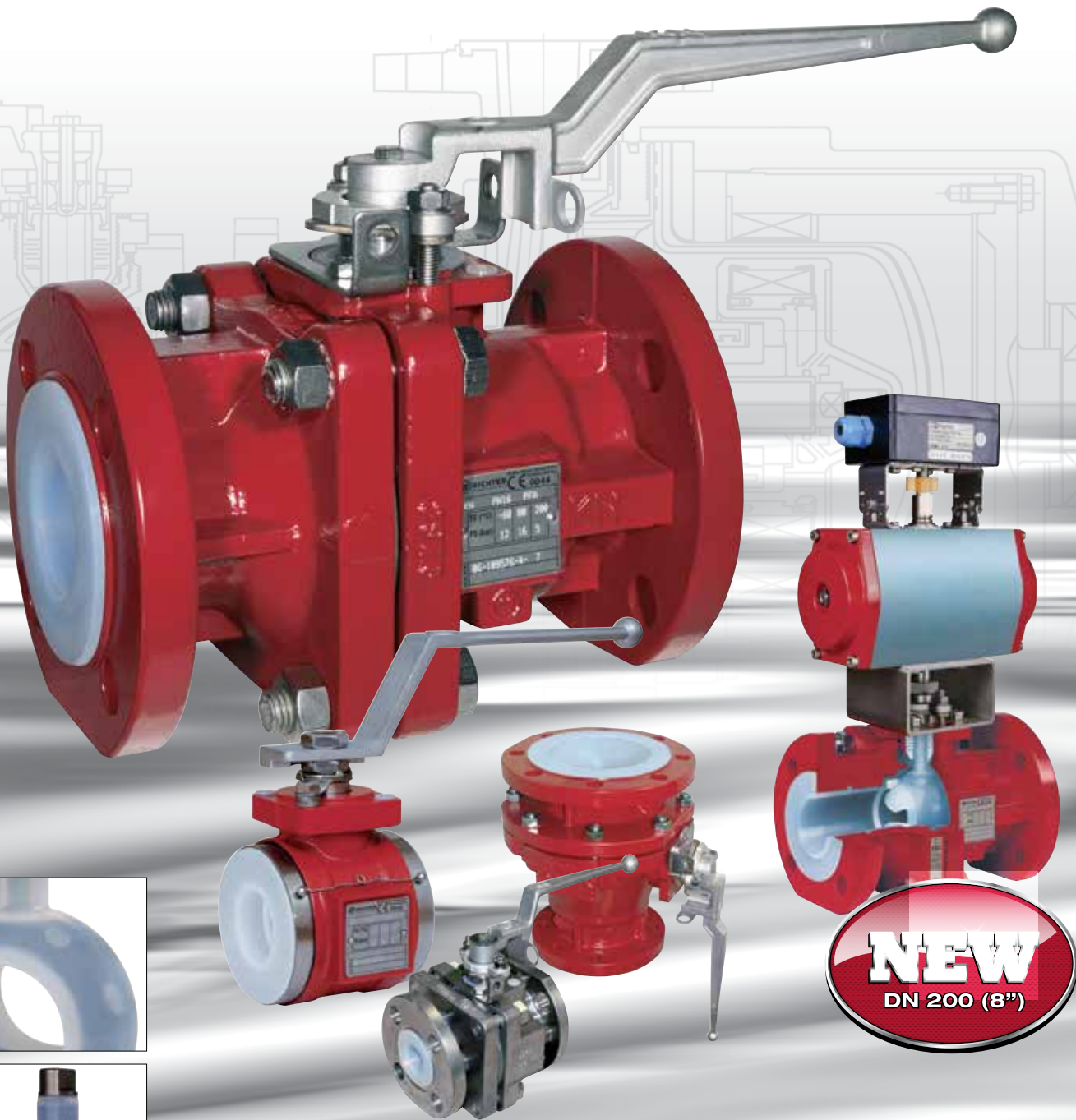


Richter heavy-duty ball valves

– shut-off, control and drain valves –



ISO/DIN, ASME/ANSI

Lining PFA,
optionally PFA-L

Maintenance-free
ENVIPACK stem sealing

-60 to +200 °C (-75 to +400 °F)



RICHTER
Process Pumps & Valves



Heavy duty ball valves with ENVIPACK stem sealing

The ball valve family, KN, excels by offering problem solutions from a modular system. The selection of fluoroplastic linings, the large temperature/pressure range and the numerous options permit a tailor-made solution for virtually every application involving highly corrosive and ultrapure media – with more or less the same components!

The standard KN/KNA modular system:

1 ISO/DIN + 1 ASME/ANSI body, 4 lining materials, 1 universal stem sealing, 4 standard ball versions.

In addition, Richter's speciality: customised special solutions.

The ball valves of the KN/KNA family are

- Shut-off and control valves for highly aggressive fluids
- For applications where stainless steel, special metals and standard plastics are not sufficiently corrosion-resistant
- The lower-cost alternative to special metals
- Suitable for pure, ultrapure and solids-laden media

Product features

- 1-piece, PFA-lined ball/stem, optionally Al₂O₃ ball and special versions
- DN 15-200 and 1/2"-8", full bore
- DN 200 optional with reduced bore
- Optional certified to TRwS ATV-DWVK-A 780, part 1, design A

Type codes

	manual actuation		remote actuation	
	Shut-off valve	Control valve	Shut-off valve	Control valve

- | | | | | |
|-------------------|---------|----------|----------|-----------|
| • ISO/DIN | KN/... | KNR/... | KNP/... | KNRP/... |
| • ASME/ANSI short | KNA/... | KNAR/... | KNAP/... | KNARP/... |

Lining

- PFA .../F
- Antistatic PFA-L .../F-L
- Ultrapure (e.g. pharma applications) PFA-HP .../F-HP

Ball valve series selection

Outline of the features that can be configured

Options	KN	KNA	KNR	KNAR	KA-N	KK
ISO/DIN face to face, flanges PN 16 ① / ISO/DIN face to face, flanges PN 25 (DN 25-80)	•/•		•/•		②	③
ASME/ANSI short face to face, flanges Cl. 150		•		•		
Shut-off/control	•/-	•/-	•/•	•/•	•/-	•/-
ENVIPACK bellows-type packing	•	•	•	•	•	
Operating temperature up to 150 °C/200 °C (-20 °F/400 °F)	•/•	•/•	•/•	•/•	•/•	•/-
Operating temperature down to -30 °C/-60 °C (-20 °F/-75 °F)	•/•	•/•	•/•	•/•	•/•	•/•
Vacuum applications	•	•	•	•	•	•
Solids-containing fluids ④	•	•	⑤	⑤	•	•
Ultrapure media	•	•	•	•	•	
TF ball/stem for optimum drainability	•	•			•	
Low-cavity	•	•	•	•	•	•
Lining pure PFA, 3,5 mm/5 mm (1/8"/1/5")	•/•	•/•	•/•	•/•	•/•	•/-
Lining antistatic PFA-L	•	•	•	•	•	•
Lining ultrapure PFA-HP	•	•	•	•	•	•
One-piece PFA-lined ball/stem	•	•	•	•	•	
PFA-lined ball, separate stem						•
Al ₂ O ₃ ceramic ball, separate stem	•	•			•	•
Body ductile cast iron/stainless steel (DN 1"-2")	•/-	•/•	•/-	•/•	•/-	•/-

① 3.5 mm (1/7") thick lining made of pure PFA

- High permeation resistance
- Vacuum-proof anchoring
- 5 mm (1/5") wall thickness option (≥ DN 25/1")
- Optional antistatic lining

② Body made of ductile cast iron

EN-JS 1049/ASTM A395, absorbs the system and pipe forces

③ Permanently tight body connection

- Also with frequent temperature changes
- Full lining ③a
- Body halves center themselves exactly to each other owing to the fit ③b
- Labyrinth-like sealing ③c: maximum surface pressure between the body halves
- "Almost metallic stop" ③d absorbs pipe forces (see page 3)

④ Different ball versions (see page 3)

- Standard one-piece ball/stem with 3 mm (1/8") lining and stainless steel core
- Eliminates the fits of 2-piece plastic-lined ball/stem versions which are less load-bearing
- Thus optimising operational reliability

⑤ Resilient PTFE seat rings: spring loaded

Permanent pretension of the ball, gas-tight seal

⑥ Richter ENVIPACK stem sealing with active stainless steel packing gland follower ⑥a

- Conformity with German Clean Air Act (TA Luft), self-adjusting
- Bellows-type packing insert ⑥b, gas-tight to EN 12266 leakage rate A
- Virtually maintenance-free sealing even with frequent hot/cold cycles
- Visual inspection of the pre-tensioning action
- Can be re-adjusted from outside in a controlled manner ⑥c

⑦ Universal ISO 5211 connection

⑧ External corrosion protection

Epoxy coating. Stuffing box, lever, screws/nuts made of stainless steel

① On request, flanges drilled to ASME/ANSI Cl.150

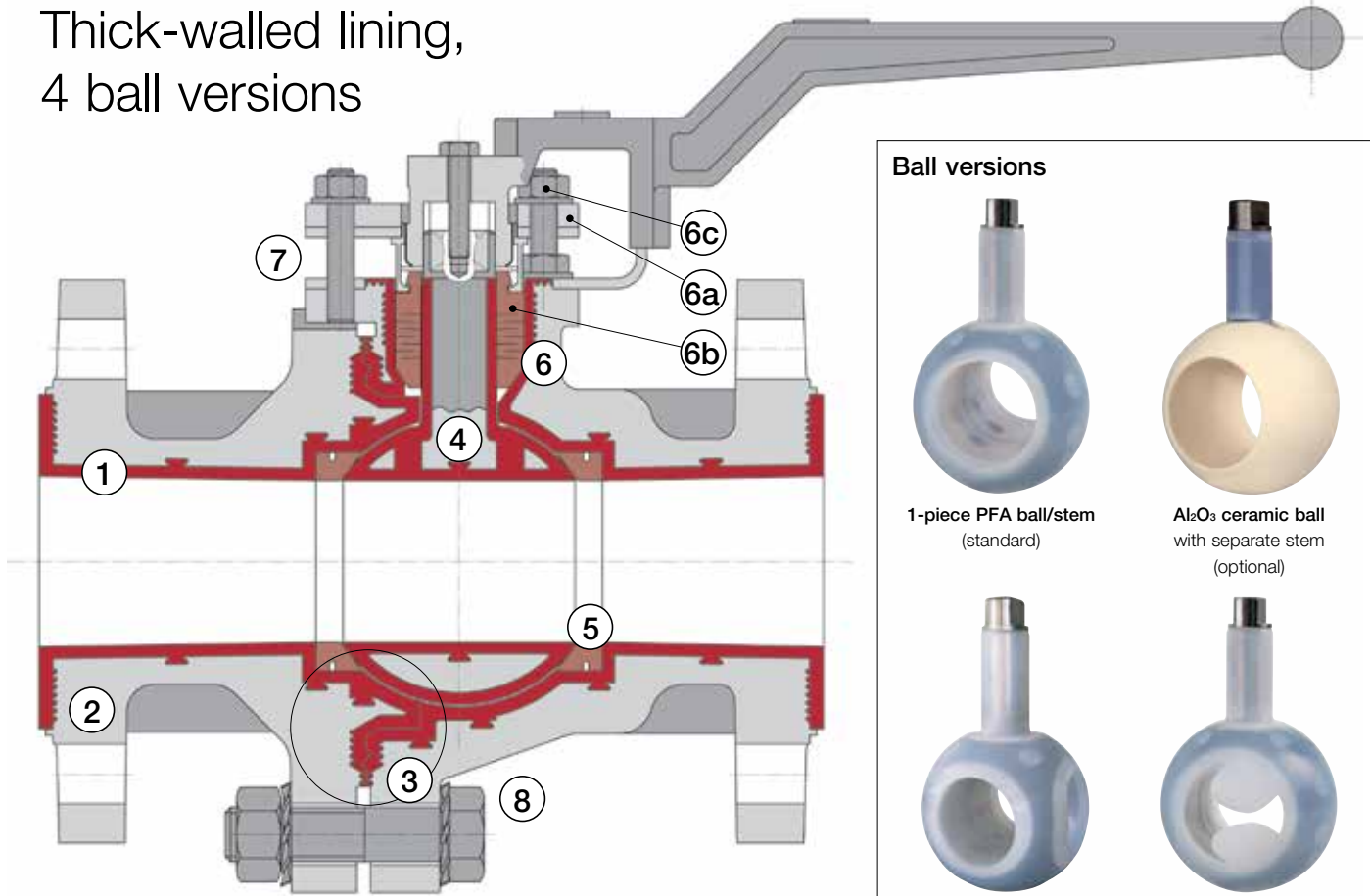
② Special face to face, see tables on page 7

③ Flangeless compact design, face to face = DN + 50 mm

④ Solids: in general, consultation with manufacturer recommended

⑤ Limited suitability

Thick-walled lining, 4 ball versions



Ball versions

1-piece PFA ball/stem
(standard)

Al₂O₃ ceramic ball
with separate stem
(optional)

Cavity-free TF ball
for optimum draining
and flushing (optional)

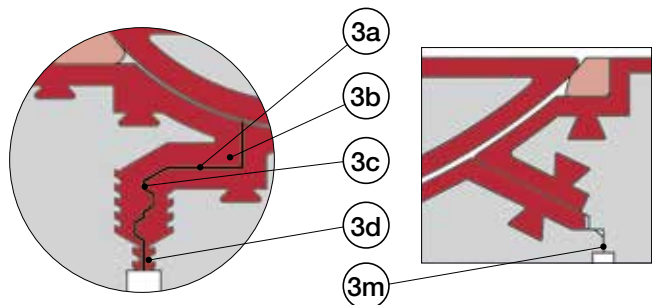
V-control ball,
high-quality flow control,
play-free (optional)

Optionally zirconium, stainless steel etc.

Why “almost metallic stop” instead of “metallic stop”?

Richter’s “virtually metal-to-metal contact”, permanently tight:

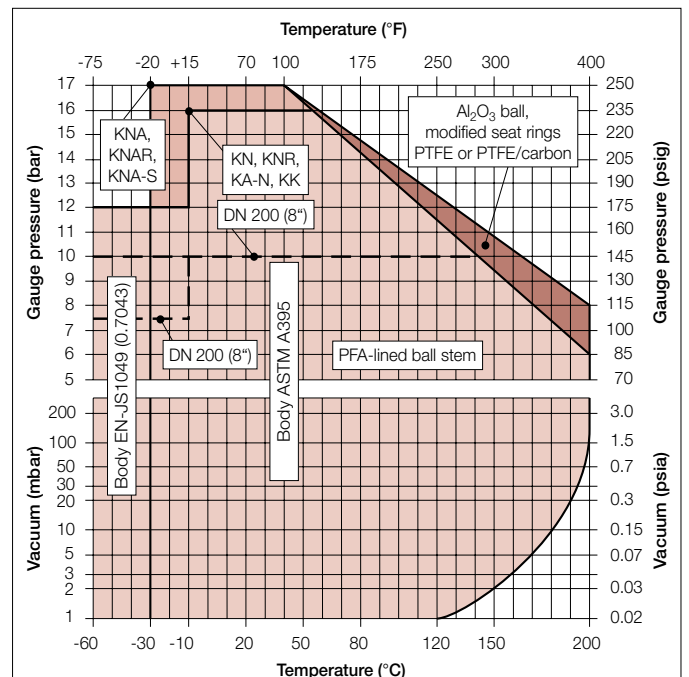
The body lining (3d) decreases to about 0.5 mm (0.02”) permitting the inner flange connection to be retightened in the event of a leak in the sealing area. However, leakage is highly improbable thanks to the labyrinth-type design (3c) typical of Richter.



What are the disadvantages of lined valves with “metallic stop”?

The body halves are bolted together with full metallic contact (3m). **Retightening is not possible, any leak that occurs cannot be stopped.** The cavity between the lining and the metallic contact also prevents the early detection of any leak.

Pressure/temperature range



Body EN-JS 1049 (0.7043)/PFA:
-60 °C (-75 °F) to +200 °C (400 °F); max. 16 bar (235 psi) acc. to AD 2000

Body ASTM A395/PFA:
-30 °C (-20 °F) to +200 °C (400 °F); max. 17.2 bar (250 psi) acc. to ASME B16.42

For applications at low temperatures, please observe the local regulations!
Operating temperatures below -10 °C (15 °F): special material for ball stem core

Richter drain valves KA-N with ENVIPACK stem sealing

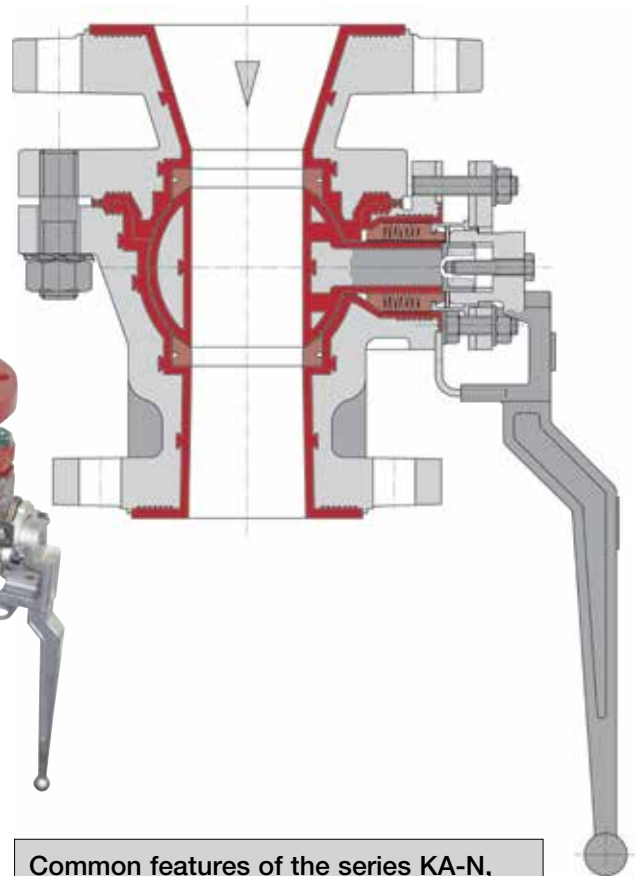
Drain valves are compact, sturdy vessel drain valves and much lower-priced than sliding stem valves.

The KA-N has – apart from the tapered inlet nozzle – the same design as the ball valve series KN.

The pressure/temperature range, design features, material range and the major spare parts are identical.

Product features

- Full bore
- DN 50/25 (Ø 25 mm) to 150/100 (Ø 100 mm), 2"/1" (Ø 1") to 8"/6" (Ø 6")
- -60 to +200 °C (-75 to +400 °F), see diagram on page 3
- Face-to-face: see table on page 7
- Flanges ISO/DIN 7005-2 PN 16, on request, drilled to ANSI B16.10 Cl.150



Other options:

- High-purity version for pharmaceutical or semiconductor industries
- Body heating jacket, stem extension etc.

Common features of the series KA-N, KNA-S and KNR/KNAR

- Labyrinth-like, permanently tight body connection
- Lining 3.5 mm (1/7") virgin PFA, optionally PFA-L antistatic
- Self-adjusting, maintenance-free ENVIPACK stem sealing
- Resilient seat rings, gas-tight in the seat
- Conformity with the German Clean Air Act
- Lockable stainless steel lever
- Actuator mounting to ISO 5211, optionally head flange to ISO
- Low-cavity as standard feature
- One-piece PFA ball stem, optionally Al₂O₃ ceramic ball with separate stem, cavity-free TF ball, all blowout-proof
- Or V-control ball with high-quality control performance for KNR and KNAR valves

PFA lined stainless steel shut-off and control valves to ASME/ANSI

The PFA-lined stainless steel KNA-S is predestined for the shut-off and control of corrosive fluids

- in clean-room environments where high-quality exterior surfaces without paint are preferred
- in corrosive atmospheres, e. g. in HF, HNO₃ and pickling plants
- in processes where the fluid itself must not come into contact with ductile cast iron if the lining is damaged.

The pressure/temperature range as well as the components balls, seat rings, stem sealing and valve actuation correspond to those of the KN and KNA series, see page 3.

Product features

- Precision cast stainless steel 1.4408 (316, CF8M), lining PFA
- Full bore flow
- DN 25 (1") to DN 50 (2"), other nominal sizes on request
- -60 to +200 °C (-75 to +400 °F), see diagram on page 3
- Very low temperatures down to -200 °C (-330 °F) on request
- Face-to-face acc. to ASME/ANSI 16.10/short, face-to-face ISO/DIN on request
- Flanges ASME/ANSI B 16.10 Cl.150, on request drilled to ISO 7005-2 PN 16.

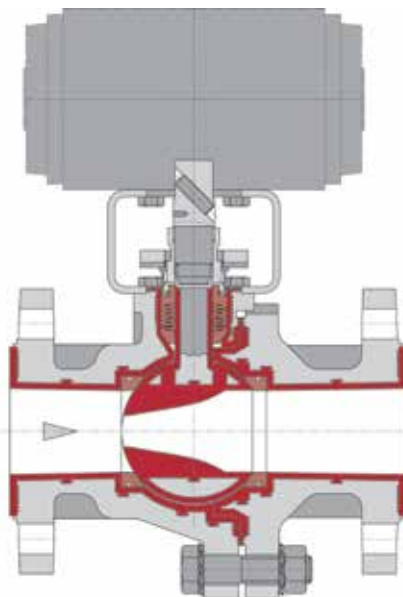


Richter control valves KNR and KNAR with play-free torque transmission



With the series KNR (ISO/DIN) and KNAR (ASME/ANSI) compact control valves with high control accuracy are available to plant operators. The KNR/KNAR valves are in many applications a very economical alternative to bellows-type, sliding stem valves.

Valve bodies, seat rings and the ENVIPACK stem sealing are identical to those of the shut-off valves KN and KNA as are the selection of material and the pressure/temperature range. Advantages: minimum stock of spare parts, conversion from shut-off to control valve possible.



Product features

- 3-6 finely graduated k_{vs}/Cv -values per nominal size
- Equal percentage characteristic acc. to DIN EN 60534, linear by means of positioner
- DN 15-200 (1/2" to 8")
- -60 to +200 °C (-75 to +400 °F), see diagram on page 3
- Face-to-face according to
 - ISO 5752 R.1/DIN/EN 558 R.1 (apart from DN 200)
 - ASME/ANSI B 16.10/8, Cl.150
- Flanges to
 - ISO/DIN 7005-2 PN 16 (DN 200/8": PN 10), DN 25-80 (1"-3") optionally PN 25 with PB 16 bar,
 - ASME/ANSI B16.5 Cl.150

Other options:

- Extra thick body lining: 5 mm (1/5") PFA for permeating media
- Ultrapure version for pharmaceutical and semiconductor industries
- Body heating jacket

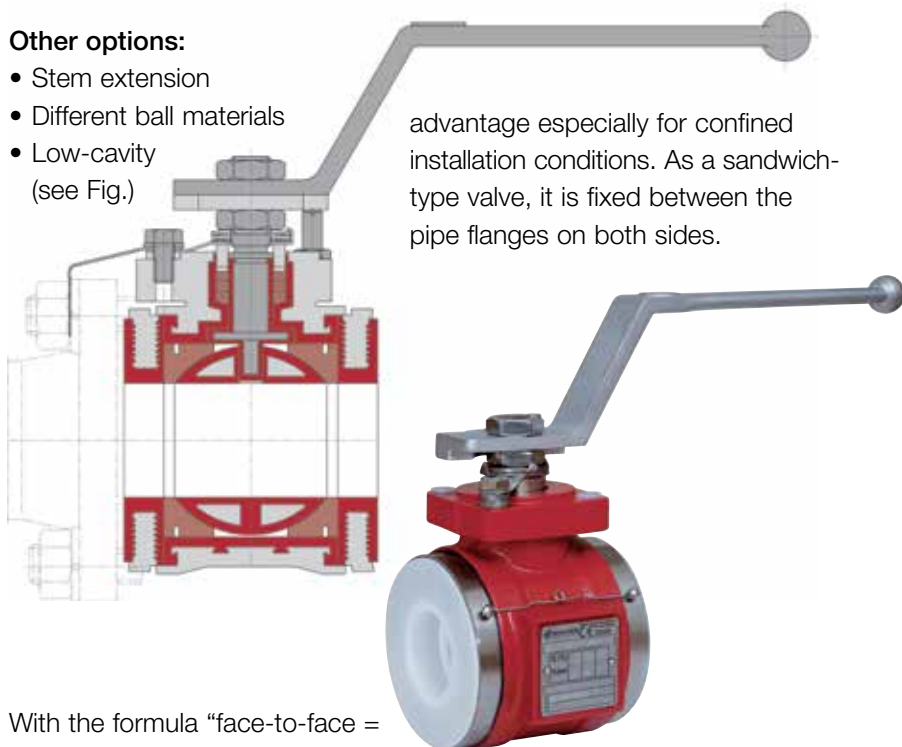
Richter flangeless compact ball valves KK

Product features

- Lining 3.5 mm (1/7") virgin PFA
- Body of ductile cast iron EN-JS 1049 (ASTM A395)
- DN 25-150 (1"-6"), PN 16 (DN 150 (6") = PN 10)
- Full bore with DN 25-50 (1"-2"), reduced bore with DN ≥ 65 (2 1/2")
- -60 to +180 °C (-75 to +360 °F)
- Flangeless, face-to-face: DN + 50 mm (2"), e. g. DN 50 (2") = 100 mm (4")
- PFA ball with separate stem, Al₂O₃ ceramic ball option, blowout-proof
- Self-adjusting, maintenance-free stem sealing
- Resilient seat rings, gas-tight in the seat
- Conformity with German Clean Air Act
- TÜV AGG-certified to "dangerous goods" GGVSE/ADR/RID ch. 6.8
- Stainless steel lever
- Actuator mounting to ISO 5211
- Stainless steel grounding rope

Other options:

- Stem extension
- Different ball materials
- Low-cavity (see Fig.)



advantage especially for confined installation conditions. As a sandwich-type valve, it is fixed between the pipe flanges on both sides.

With the formula "face-to-face = DN + 50", the KK series offers an extremely short face-to-face – an

Components and materials, operating torques, k_{vs}/C_v -values

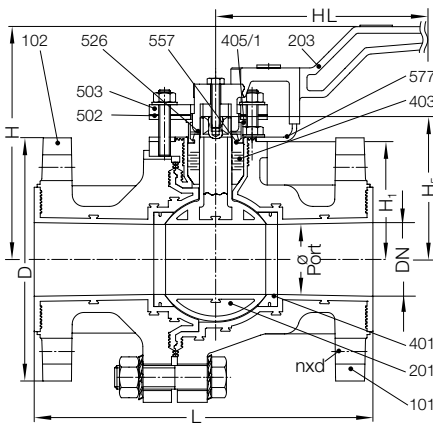
Components and materials

Item	Designation	Material
101	Main body	Ductile cast iron EN-JS1049 (ASTM A395), PFA-lined
102	Body end piece	optionally PFA-L, PFA-HP
109	Transition cover	Stainless steel/PTFE
200	Ball	Al ₂ O ₃ 99,7 %, stainl. steel/PFA (only KK)
201	Ball stem unit	Stainless steel, PFA-lined
202	Stem	optionally PFA-L, PFA-HP
203	Lever*	Stainless steel
401	Seat rings	PTFE (opt. Al ₂ O ₃ ball: mod. PTFE)
402/1	Packing ring	PTFE
403	Packing bellows	PTFE
405/1	Thrust ring	Stainless steel
502	Spring gland follower	Stainless steel
503	Packing gland follower	Stainless steel
504	Cup spring assembly	Stainless steel
510	Bracket	Stainless steel
512	Sleeve nut	Stainless steel
526	Retaining washer	Stainless steel
532	Grounding rope	Stainless steel
557	Grounding spring washer	Stainless steel
577	Lever stop	Stainless steel
804	Coupling, play-free	Stainless steel
850	Actuator	to customer request
904/4	Setscrew	Stainless steel
o. Nr.	Screws and nuts	Stainless steel

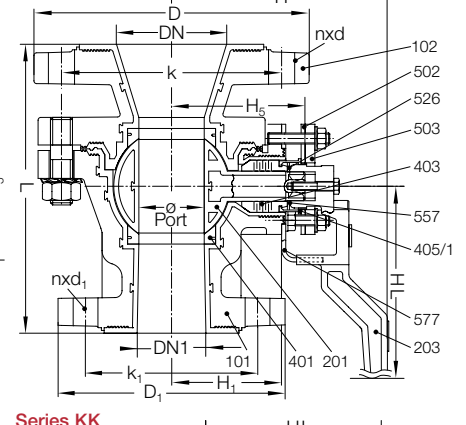
* a worm gear is recommended for torques ≥ 200 Nm (1770lbs)

All torques: Test medium water 20 °C, seat rings of pure PTFE. The torques may vary depending on the medium (dry gases, crystallising media, oil contents etc.)

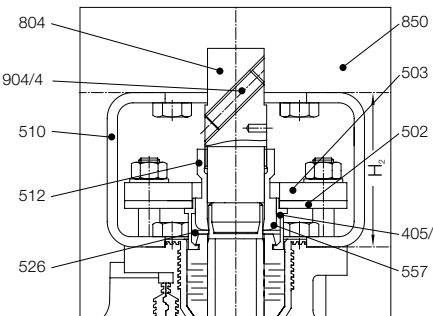
Series KN, KNA, KNR, KNAR



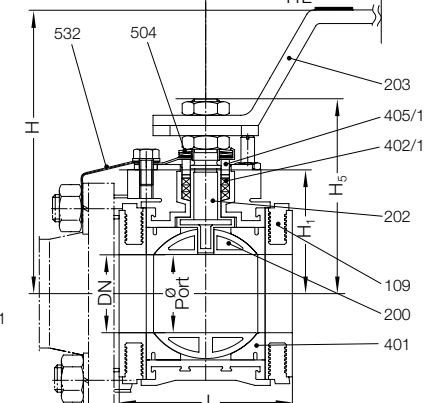
Series KA-N



Play-free coupling for KNR, KNAR



Series KK



KK: Operating torques (incl. breakaway torques) with PFA-lined or with Al₂O₃-ball

DN	Operating torques										KK*		
	Δp 3 bar/45 psi		Δp 6 bar/85 psi		Δp 10 bar/145 psi		Δp 16 bar/235 psi		max. admissible		k_{vs}	C_v	
mm	inch	Nm	in-lbs	Nm	in-lbs	Nm	in-lbs	Nm	in-lbs	Nm	in-lbs	m ³ /h	USgpm
25	1"	7	62	7	62	7	62	7	62	20	177	51	59
40	1 1/2"	15	133	15	133	15	133	18	159	50	443	150	175
50	2"	15	133	15	133	15	133	18	159	50	443	248	289
65	2 1/2"	15	133	15	133	15	133	18	159	50	443	300	350
80	3"	40	354	40	354	42	372	50	443	120	1062	455	530
100	4"	60	531	60	531	64	566	80	708	250	2213	830	967
150	6"	100	885	113	1000	180	1593	-	-	500	4425	1270	1480

k_{vs}/C_v -values*

KN, KNA, KNR, KNAR, KA-N: Operating torques (incl. breakaway torques) with PFA-lined ball

KN, KNA, KNR, KNAR		KA-N		Operating torques								KN, KNA, KA-N*			
DN		DN/DN1		Δp 3 bar/45 psi		Δp 6 bar/85 psi		Δp 10 bar/145 psi		Δp 16 bar/235 psi		max. admissible		k_{vs}	C_v
mm	inch	mm	inch	Nm	in-lbs	Nm	in-lbs	Nm	in-lbs	Nm	in-lbs	Nm	in-lbs	m ³ /h	USgpm
15	1/2"	-	-	8	71	8	71	8	71	10	89	70	620	17,5	20
20	3/4"	-	-	8	71	8	71	8	71	10	89	70	620	31	36
25	1"	50/25	2"/1"	12	106	12	106	12	106	12	106	70	620	75	87
40	1 1/2"	-	-	20	177	20	177	20	177	25	221	225	1990	200	233
50	2"	80/50+100/50	3"/2"+4"/2"	25	221	25	221	25	221	30	266	225	1990	310	361
80	3"	-	-	60	531	60	531	65	575	80	708	500	4425	800	932
100	4"	150/100	6"/4"	80	708	80	708	90	797	170	1505	500	4425	1250	1456
150	6"	-	-	200	1770	250	2213	350	3098	-	-	2200	19470	2800	3262
200/150	8"/6"	-	-	200	1770	250	2213	350	3098	-	-	2250	19913	3200	3728
200	8"	-	-	600	5310	600	5310	700	6310	-	-	2200	19470	6000	6990

k_{vs}/C_v -values*

KN, KNA, KA-N: Operating torques (incl. breakaway torques) with Al₂O₃ ball

KN, KNA		KA-N		Operating torques								KN, KNA, KA-N*			
DN		DN/DN1		Δp 3 bar/45 psi		Δp 6 bar/85 psi		Δp 10 bar/145 psi		Δp 16 bar/235 psi		max. admissible		k_{vs}	C_v
mm	inch	mm	inch	Nm	in-lbs	Nm	in-lbs	Nm	in-lbs	Nm	in-lbs	Nm	in-lbs	m ³ /h	USgpm
15	1/2"	-	-	10	89	10	89	10	89	12	106	28	248	17,5	20
20	3/4"	-	-	10	89	10	89	10	89	12	106	28	248	31	36
25	1"	50/25	2"/1"	12	106	12	106	12	106	12	106	28	248	75	87
40	1 1/2"	-	-	20	177	25	221	30	266	45	398	80	708	200	233
50	2"	80/50+100/50	3"/2"+4"/2"	25	221	30	266	35	310	50	443	120	1062	310	361
80	3"	-	-	60	531	100	885	160	1416	220	1947	250	2215	800	932
100	4"	150/100	6"/4"	80	708	130	1151	200	1770	280	2478	350	3098	1250	1456
150	6"	-	-	350	3098	450	3983	600	5310	-	-	1200	10620	2800	3262
200/150	8"/6"	-	-	350	3098	450	3983	600	5310	-	-	1200	10620	3200	3728

k_{vs}/C_v -values*

* for KNR and KNAR k_{vs}/C_v -values see separate brochure

Dimensions, weights

KN, KNR (ISO/DIN): Installation dimensions and approx. weights

Face-to-face ISO 5752 series 1 (DIN 3202 F1), flanges ISO 7005-2**

DN		Ø Port		L		HL		H		D		k		nxd ₁		EN ISO 5211	H ₁		H ₅		H ₂		Weight man. act.			
mm	inch	mm	inch	mm	inch	mm	inch	mm	inch	mm	inch	mm	inch	mm	inch		mm	inch	mm	inch	mm	inch	mm	inch	kg	lbs
15	1/2"	15	0.59	130	5.12	179	7.0	130	5.12	95	3.74	65	2.56	4x14	4x0.55	F05	50	1.97	60	2.36	60	2.36	60	2.36	5.6	12.3
20	3/4"	20	0.79	150	5.91	179	7.0	130	5.12	105	4.13	75	2.95	4x14	4x0.55	F05	50	1.97	60	2.36	60	2.36	60	2.36	6	13.2
25	1"	24.5	0.96	160	6.30	179	7.0	130	5.12	115	4.53	85	3.35	4x14	4x0.55	F05	50	1.97	60	2.36	60	2.36	60	2.36	6	13.2
40	1 1/2"	38	1.50	200	7.87	259	10.2	155	6.10	150	5.91	110	4.33	4x19	4x0.75	F07	77	3.03	94	3.70	60	2.36	14	30.9		
50	2"	47.5	1.87	230	9.06	259	10.2	155	6.10	165	6.5	125	4.92	4x19	4x0.75	F07	80	3.15	97	3.82	60	2.36	16	35.3		
80	3"	78	3.07	310	12.2	410	16.1	180	7.09	200	7.87	160	6.30	8x19	8x0.75	F10	118	4.65	140	5.51	80	3.15	35	77		
100	4"	96	3.78	350	13.8	410	16.1	195	7.68	220	8.66	180	7.09	8x19	8x0.75	F10	134	5.28	156	6.14	80	3.15	55	121		
150	6"	145	5.71	480	18.9	513*	20.2*	265	10.4	285	11.2	240	9.45	8x23	8x0.91	F12	184	7.24	215	8.46	100	3.94	104	229		
200/150	8"/6"	145	5.71	457	18	513*	20.2*	265	10.4	340	13.4	295	11.61	8x23	8x0.91	F12	184	7.24	215	8.46	100	3.94	125	276		
200	8"	195	7.68	457	18	No lever, only gear					343	13.5	295	11.61	12x23	8x7/8	F12	237	9.33	267.5	10.53	100	3.94	170	375	

* DN 150 (6") and 200 (8"): At Δp > approx. 2 bar (29 psi) a worm gear is recommended instead of the hand lever. Details on request.

** On request: drilled to ANSI B16.5 Cl.150, JIS 10K

KNA, KNAR (ASME/ANSI): Installation dimensions and approx. weights

Face-to-face ASME/ANSI B16.10 short, flanges ASME/ANSI B16.5 Cl.150**

DN		Ø Port		L		HL		H		D		k		nxd ₁		EN ISO 5211	H ₁		H ₅		H ₂		Weight man. act.			
mm	inch	mm	inch	mm	inch	mm	inch	mm	inch	mm	inch	mm	inch	mm	inch		mm	inch	mm	inch	mm	inch	mm	inch	kg	lbs
15***	1/2"***	15	0.59	130***	5.12	179	7.0	130	5.12	89	3.5	60.5	2.38	4x16	4x5/8	F05	50	1.97	60	2.36	60	2.36	60	2.36	5.6	12.3
20***	3/4"***	20	0.79	150***	5.91	179	7.0	130	5.12	98.5	3.88	70	2.76	4x16	4x5/8	F05	50	1.97	60	2.36	60	2.36	60	2.36	6	13.2
25	1"	24.5	0.96	127	5.0	179	7.0	130	5.12	108	4.25	79.5	3.13	4x16	4x5/8	F05	50	1.97	60	2.36	60	2.36	60	2.36	5.6	12.3
40	1 1/2"	38	1.50	165	6.5	259	10.2	155	6.10	127	5.0	98.5	3.88	4x16	4x5/8	F07	77	3.03	94	3.70	60	2.36	12	26.4		
50	2"	47.5	1.87	178	7.0	259	10.2	155	6.10	152.5	6.0	120.5	4.75	4x19	4x3/4	F07	80	3.15	97	3.82	60	2.36	14.5	32		
80	3"	78	3.07	203	8.0	410	16.1	180	7.09	190.5	7.5	152.5	6.0	4x19	4x3/4	F10	118	4.65	140	5.51	80	3.15	33.5	74		
100	4"	96	3.78	229	9.0	410	16.1	195	7.68	229	9.02	190.5	7.5	8x19	8x3/4	F10	134	5.28	156	6.14	80	3.15	50	110		
150	6"	145	5.71	267	10.5	513*	20.2*	265	10.4	279.5	11.0	241.5	9.51	8x23	8x7/8	F12	184	7.24	215	8.46	100	3.94	91	201		
200/150	8"/6"	145	5.71	457	18	513*	20.2*	265	10.4	343	13.5	298.5	11.75	8x23	8x7/8	F12	184	7.24	215	8.46	100	3.94	125	276		
200	8"	195	7.68	457	18	No lever, only gear					343	13.5	298.5	11.75	8x23	8x7/8	F12	237	9.33	267.5	10.53	100	3.94	170	375	

* DN 150 (6") and 200 (8"): At Δp > approx. 2 bar (29 psi) a worm gear is recommended instead of the hand lever. Details on request.

** On request: drilled to JIS 10K, ISO 7005-2

*** face-to-face not to ANSI

KA-N: Installation dimensions and approx. weights

Special face-to-face, flanges ISO 7005-2 (optionally drilled to ASME/ANSI B16.5 Cl.150)

DN/DN1		Ø Port		L		HL		H		D		k		nxd		D ₁	k ₁	nxd ₁		EN ISO 5211	H ₁		H ₅		H ₂		Weight man. act.				
mm	inch	mm	inch	mm	inch	mm	inch	mm	inch	mm	inch	mm	inch	mm	inch	mm	inch	mm	inch	mm	inch	mm	inch	mm	inch	mm	inch	mm	inch	kg	lbs
50/25	2"/1"	24.5	0.96	160	6.3	179	7.0	130	5.12	165	6.5	125	4.92	4x19	4x0.75	115	4.53	85	3.35	4x14	4x0.55	F05	50	1.97	60	2.36	60	2.36	8	17.6	
80/50	3"/2"	47.5	1.87	210	8.27	259	10.2	155	6.1	200	7.87	160	6.3	8x19	8x0.75	165	6.5	125	4.92	4x19	4x0.75	F07	80	3.15	97	3.82	60	2.36	17	37	
100/50	4"/2"	47.5	1.87	210	8.27	259	10.2	155	6.1	220	8.66	180	7.09	8x19	8x0.75	165	6.5	125	4.92	4x19	4x0.75	F07	80	3.15	97	3.82	60	2.36	18	40	
150/100	6"/4"	96	3.78	325	12.8	410	16.1	195	7.68	285	11.2	240	9.45	8x23	8x0.91	229	9.02	190.5	7.5	8x19	8x0.75	F10	134	5.28	156	6.14	80	3.15	51.5	114	

KK: Installation dimensions and approx. weights

Special face-to-face "DN + 50 mm", flangeless sandwich design

DN		Ø Port		L		HL		H		EN ISO 5211	H ₁		H ₅		H ₂		Weight man. act.			
mm	inch	mm	inch	mm	inch	mm	inch	mm	inch		mm	inch	mm	inch	mm	inch	mm	inch	kg	lbs
25	1"	24	0.94	75	2.95	143	5.6	120	4.72	F05	44	1.73	70.5	2.78	60	2.36	1.7	3.7		
40	1 1/2"	38	1.50	90	3.54	225	8.9	165	6.5	F07	69	2.72	105	4.13	60	2.36	3.7	8.2		
50	2"	46	1.81	100	3.94	225	8.9	170	6.69	F07	73	2.87	109	4.29	60	2.36	4.3	9.5		
65	2 1/2"	46	2.28	115	4.53	225	8.9	170	6.69	F07	73	2.87	109	4.29	60	2.36	6	13.2		
80	3"	65	3.07	130	5.12	225	8.9	190	7.48	F07	105	4.13	141.5	5.57	60	2.36	8	17.6		
100	4"	78	3.07	150	5.91	325	12.8	190	7.48	F10	113	4.45	160	6.3	80	3.15	13.5	30		
150	6"	110	4.33	200	7.87	385	15.2	240	9.45	F12	159	6.26	207	8.15	100	3.94	32.5	72		

Richter's speciality: customised problem solutions

Ask Richter when you are looking for a solution to your problem!

In addition to the selection of common special designs presented here, we also offer many other specialities.

Lever extension

100, 200, 300 mm



Stainless steel heating jacket

for all standard heat transfer media



Lockable lever as standard feature (KN, KNA)



Special manual actuations

e.g. limit switch, locking, manual gear



Linings antistatic, FDA-compliant



Extra thick-walled lining 5 mm (1/5")

for highly permeating media

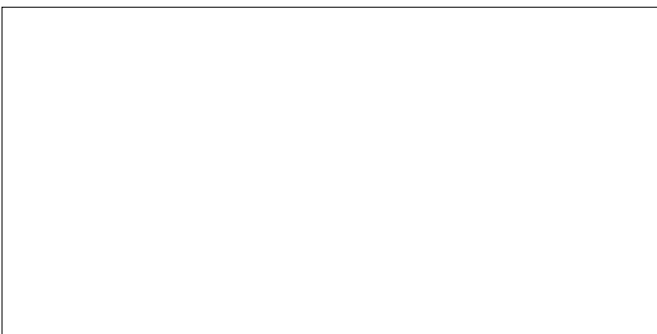


Ball with relief opening

for pressure relief of the ball interior in the closed position



Presented by:



Richter Chemie-Technik GmbH

Otto-Schott-Str. 2, D-47906 Kempen, Germany

Tel. +49(0) 21 52/146-0, Fax +49(0) 21 52/146-190

www.richter-ct.com, richter-info@idexcorp.com